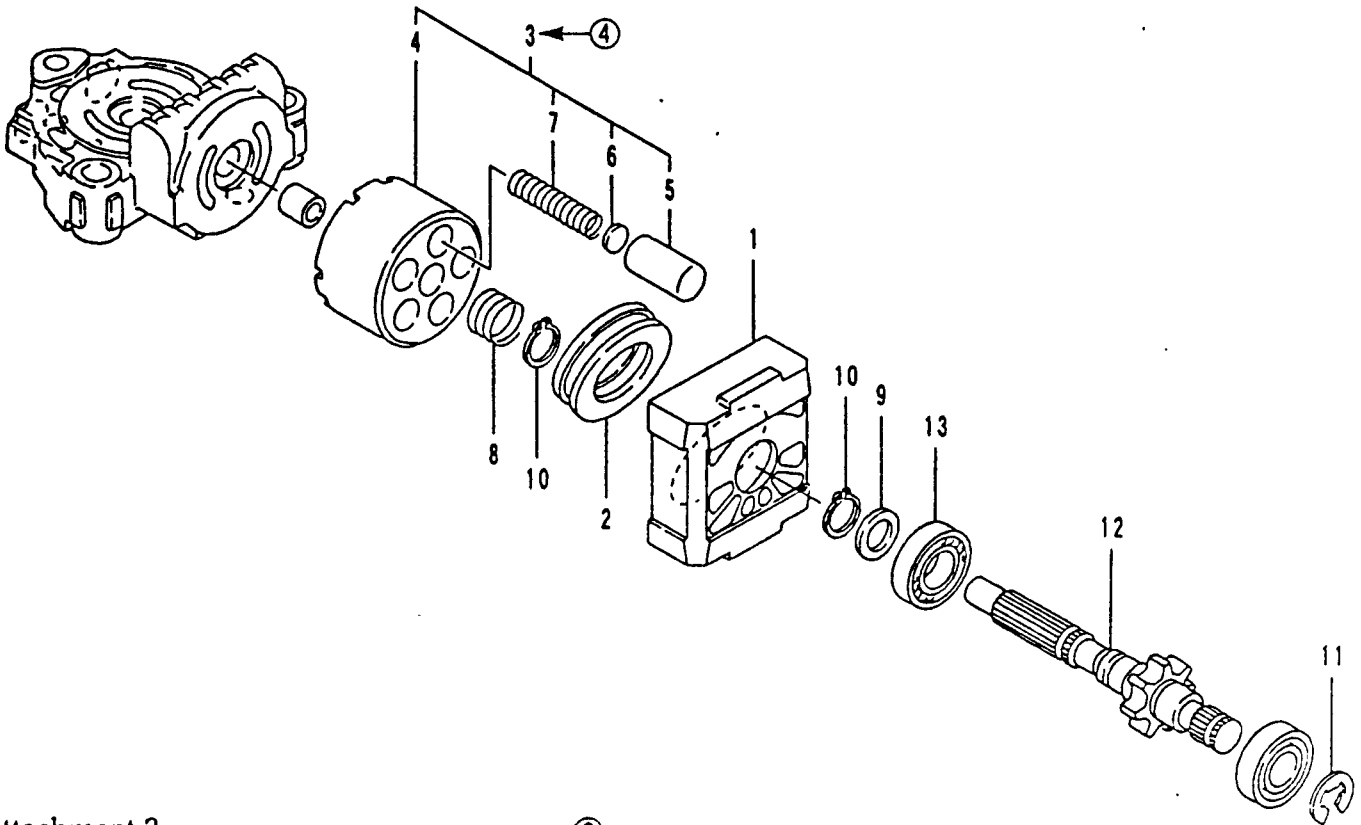


Attachment 1

②
① → Fig.4 MOTOR SHAFT ASSY



Attachment 2

②
① → Fig.4 MOTOR SHAFT ASSY

③
(D92154-80540)

Ref. No.	Level	Description	Part No.	Q'ty/Unit		Service	Remarks
				K65			
4 - 1	.	HOUSING	192154-24212	1			
4 - 2	.	BEARING (THRUST)	192154-24240	1			
4 - 3	.	CYLINDER BLOCK CMP	192154-25140	1			
4 - 4	..	CYLINDER BLOCK	192154-25120	1		NO	
4 - 5	..	PISTON	192154-25150	5		NO	
4 - 6	..	WASHER 11	192154-25170	5		NO	
4 - 7	..	SPRING (PISTON)	192154-25190	5		NO	
4 - 8	.	SPRING	192154-25200	1			
4 - 9	.	WASHER 15×20×1	192154-25210	1			
4 - 10	.	RING 15	192154-25310	2			
4 - 11	.	RING E 15	192154-85310	1			
4 - 12	.	SHAFT(MOTOR)	192154-89200	1			
4 - 13	.	BEARING 6202SH2	192154-89210	1			

CONTENTS

		Page
Fig. 0	TRANSAXLE KIT ASSY	1
Fig. 1	TRANSAXLE CASE ASSY	3
Fig. 2	CENTER CASE ASSY	5
Fig. 3	PUMP SHAFT ASSY	7
Fig. 4	MOTOR SHAFT ASSY	9
Fig. 5	RANGE SHIFT ASSY	11
Fig. 6	CONTROL SHAFT ASSY	13
Fig. 7	DIFF. GEAR ASSY	15
Fig. 8	AXLE SHAFT ASSY	17
Fig. 9	BRAKE ASSY	19
Fig. 10	LABEL ASSY	21

Fig.0 TRANSAXLE KIT ASSY

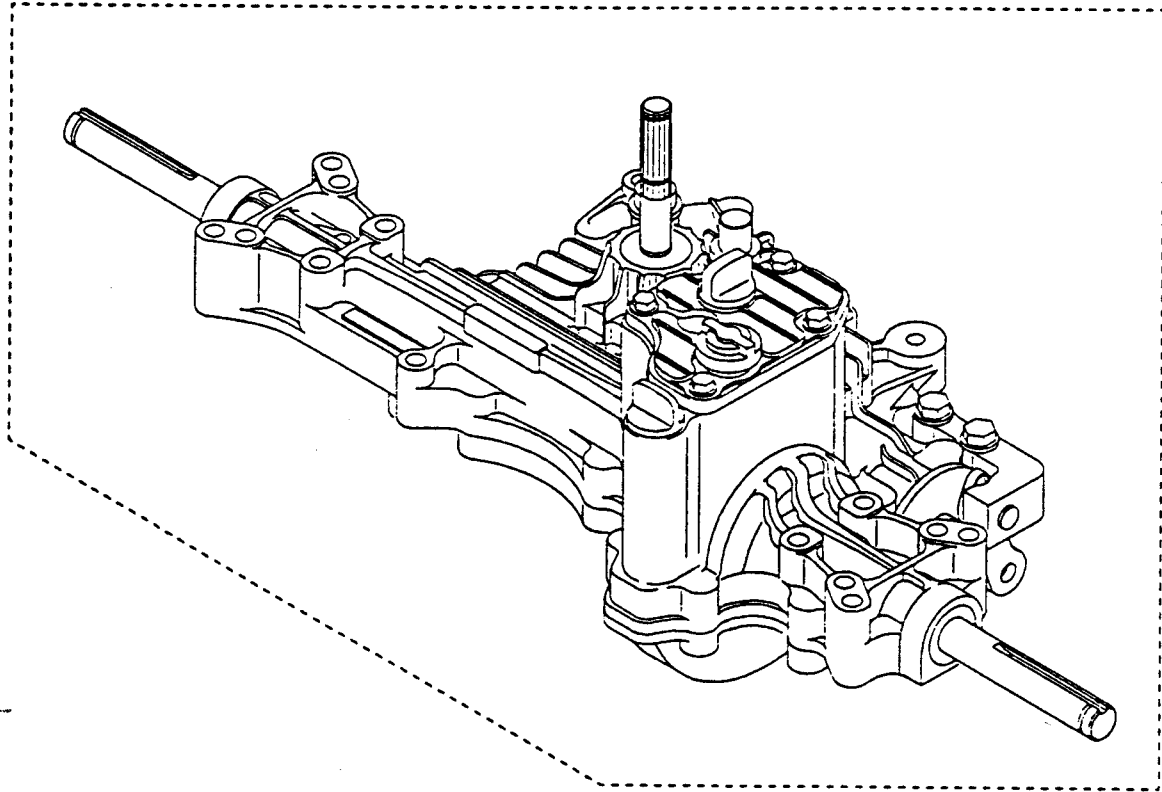


Fig.0 TRANSAXLE KIT ASSY

(D92163-80070)

Ref. No.	Level	Description	Part No.	Q'ty/Unit		Service	Remarks
					K55J		
0 - 1	.	TRANSAXLE KIT	792163-84110	1			

Fig.1 TRANSAXLE CASE ASSY

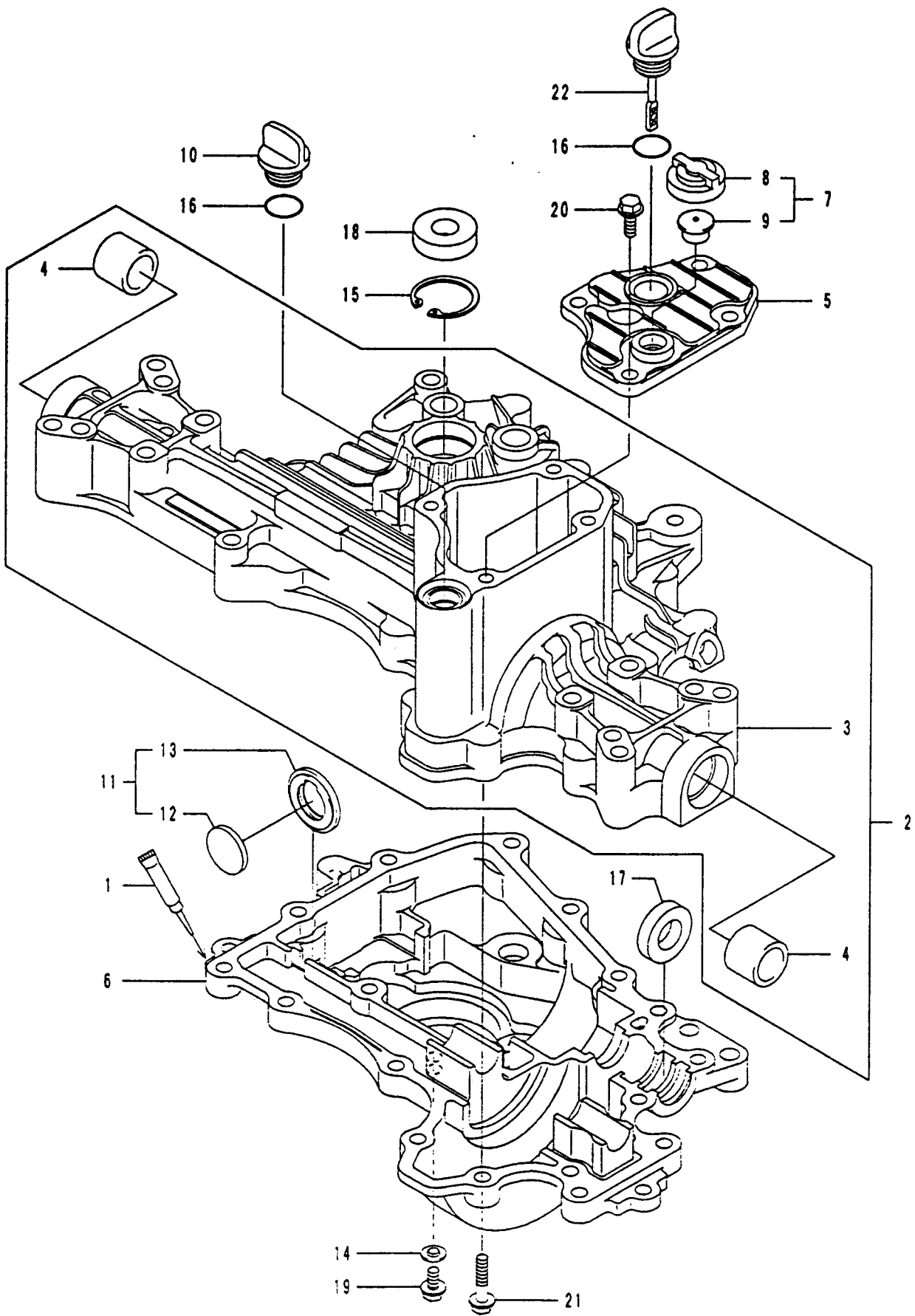


Fig.1 TRANSAXLE CASE ASSY

(D92163-80180)

Ref. No.	Level	Description	Part No.	Q'ty/Unit		Service	Remarks
				K55J			
1 - 1	.	SEALANT	194855-24020	1		NO	
1 - 2	.	UPPER CASE CMP.	192163-84250				
1 - 3	..	UPPER CASE	192163-84260	1		NO	
1 - 4	..	BUSHING 19.05	192163-34240	2		NO	
1 - 5	.	TOP COVER	192163-84130	1			
1 - 6	.	LOWER CASE	192163-24270	1			
1 - 7	.	VENT VALVE 15	194859-24252	1			
1 - 8	..	CAP, VENT VALVE	194859-24262	1		NO	
1 - 9	..	BODY, VENT VALVE	194859-24270	1		NO	
1 - 10	.	CAP, OIL 20	194855-24290	1			
1 - 11	.	MAGNET CMP.	192163-24350	1			
1 - 12	..	MAGNET 28×3.5	192163-24360	1		NO	
1 - 13	..	COVER (MAGNET	192163-24370	1		NO	
1 - 14	.	WASHER, SEAL 8	22190-080000	1			
1 - 15	.	RING 35	22252-000350	1			
1 - 16	.	PACKING P 18	24311-000180	2			
1 - 17	.	SEAL TC123207	24421-123207	1			
1 - 18	.	SEAL TC153507	24421-153507	1			
1 - 19	.	BOLT 8×12	26106-080122	1			
1 - 20	.	BOLT 8×20	26106-080202	4			
1 - 21	.	TAPPING, SCREW 8×30	26476-080302	17			
1 - 22	.	CAP 20×49	192163-84140	1			

Fig.2 CENTER CASE ASSY

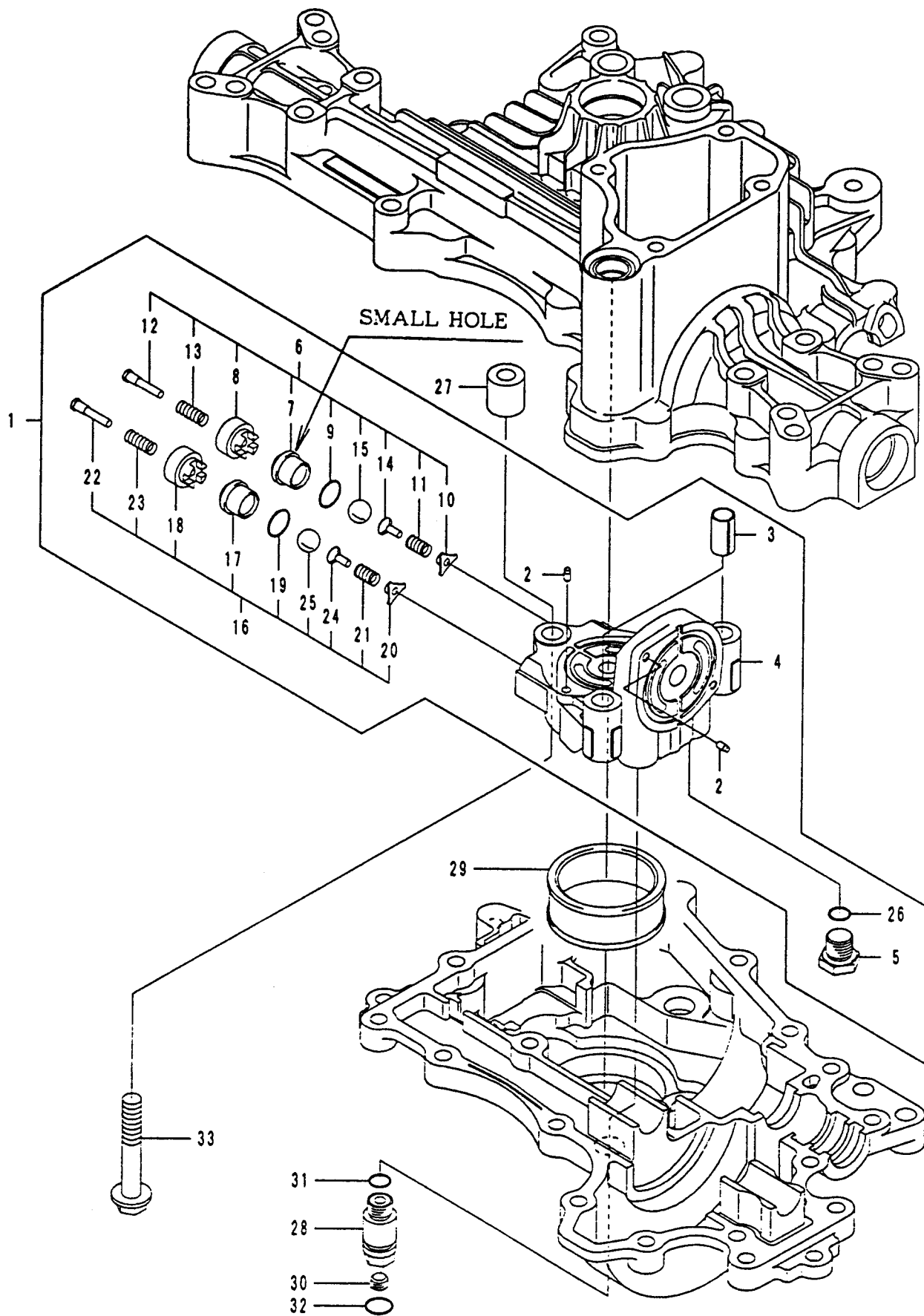


Fig.2 CENTER CASE ASSY

(D92163-24510)

Ref. No.	Level	Description	Part No.	Q'ty/Unit		Service	Remarks
				K55J			
2-1	.	CENTER CASE CMP.	192163-24500	1			
2-2	..	KNOCK PIN 3.5	192163-24420	4			
2-3	..	KNOCK PIN 12X22	192154-24450	2			
2-4	..	CENTER CASE	192163-24510	1		NO	
2-5	..	PLUG PF1/4	192154-24550	1			
2-6	..	VALVE(A-1 SET	192163-24610	1			
2-7	...	SLEEVE(A1	192163-24641	1		NO	
2-8	...	VALVE(B	192154-24660	1		NO	
2-9	...	PACKING 1015	192154-24670	1			
2-10	...	HOLDER(BYPASS	192154-24690	1		NO	
2-11	...	SPRING	192154-24701	1		NO	
2-12	...	PUSH PIN	192154-24710	1		NO	
2-13	...	SPRING PUSH PIN	192163-24720	1		NO	
2-14	...	HOLDER(BALL	192154-24730	1		NO	
2-15	...	BALL 3/8	24190-120001	1		NO	
2-16	..	VALVE(A-2 SET	192163-24620	1			
2-17	...	SLEEVE(A2	192163-24650	1		NO	
2-18	...	VALVE(B	192154-24660	1		NO	
2-19	...	PACKING 1015	192154-24670	1			
2-20	...	HOLDER(BYPASS	192154-24690	1		NO	
2-21	...	SPRING	192154-24701	1		NO	
2-22	...	PUSH PIN	192154-24710	1		NO	
2-23	...	SPRING PUSH PIN	192163-24720	1		NO	
2-24	...	HOLDER (BALL	192154-24730	1		NO	
2-25	...	BALL 3/8	24190-120001	1		NO	
2-26	..	PACKING P 11	24311-000110	1			
2-27	.	COLLAR 10X20X20	192163-24760	1			
2-28	.	CONNECTER	192163-24900	1			
2-29	.	FILTER	192163-24960	1			
2-30	.	PLUG PT1/8	23871-010000	1			
2-31	.	PACKING P 11	24311-000110	1			
2-32	.	PACKING P 14	24311-000140	1			
2-33	.	BOLT 10X60	26106-100602	3			

Fig.3 PUMP SHAFT ASSY

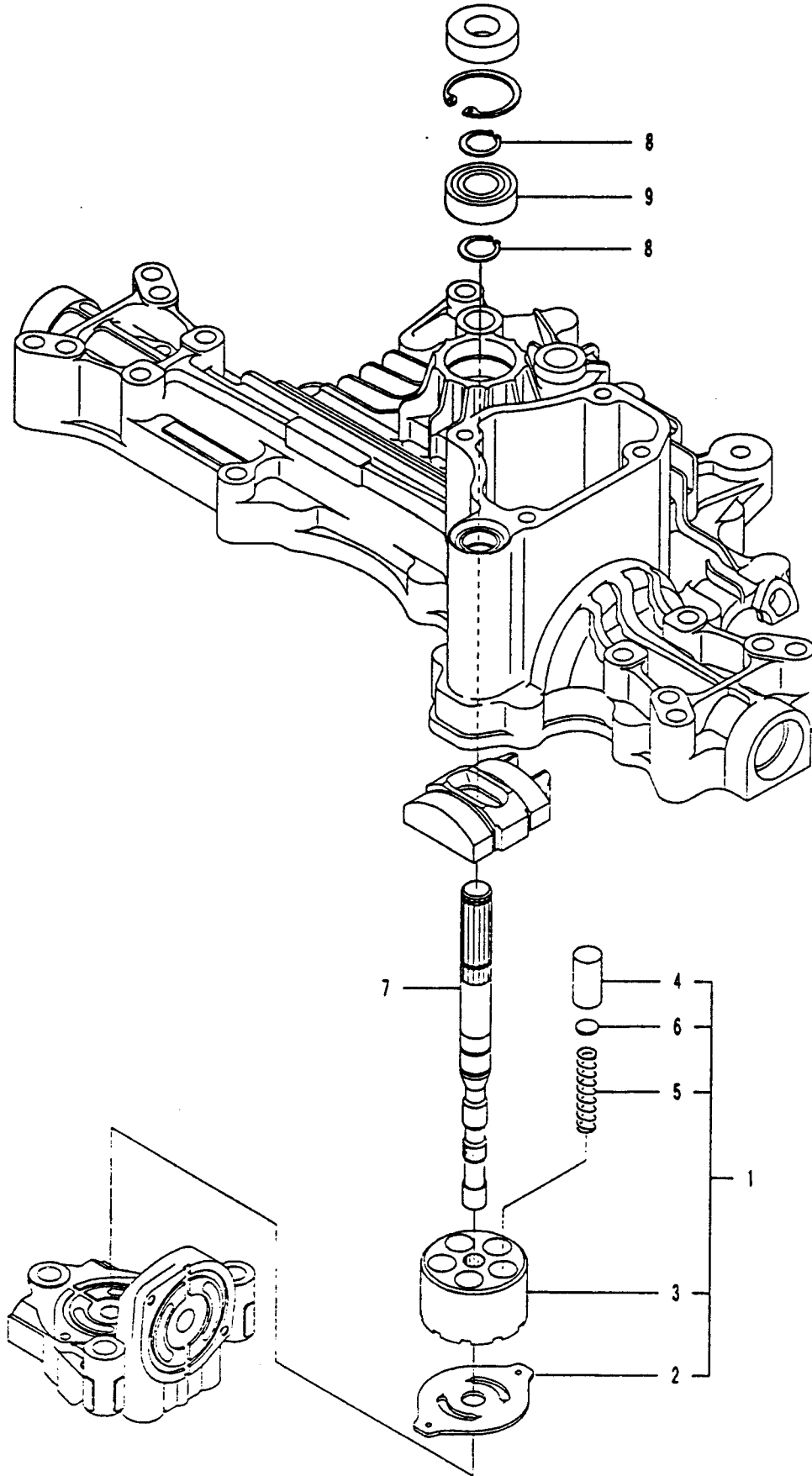


Fig.3 PUMP SHAFT ASSY

(D92163-80190)

Ref. No.	Level	Description	Part No.	Q'ty/Unit		Service	Remarks
				K55J			
3 - 1	.	CYLINDER BLOCK P CMP.	192163-25110	1			
3 - 2	..	PLATE(PUMP	192163-24401	1		NO	
3 - 3	..	CYLINDER BLOCK	192163-25120	1		NO	
3 - 4	..	PISTON	192163-25150	5		NO	
3 - 5	..	SPRING(PISTON	192163-25160	5		NO	
3 - 6	..	WASHER 9.4	192163-25170	5		NO	
3 - 7	.	SHAFT,PUMP	192163-25240	1			
3 - 8	.	RING 15	192154-25310	2			
3 - 9	.	BALL BEARING 6202C3	24101-062020	1			

Fig.4 MOTOR SHAFT ASSY

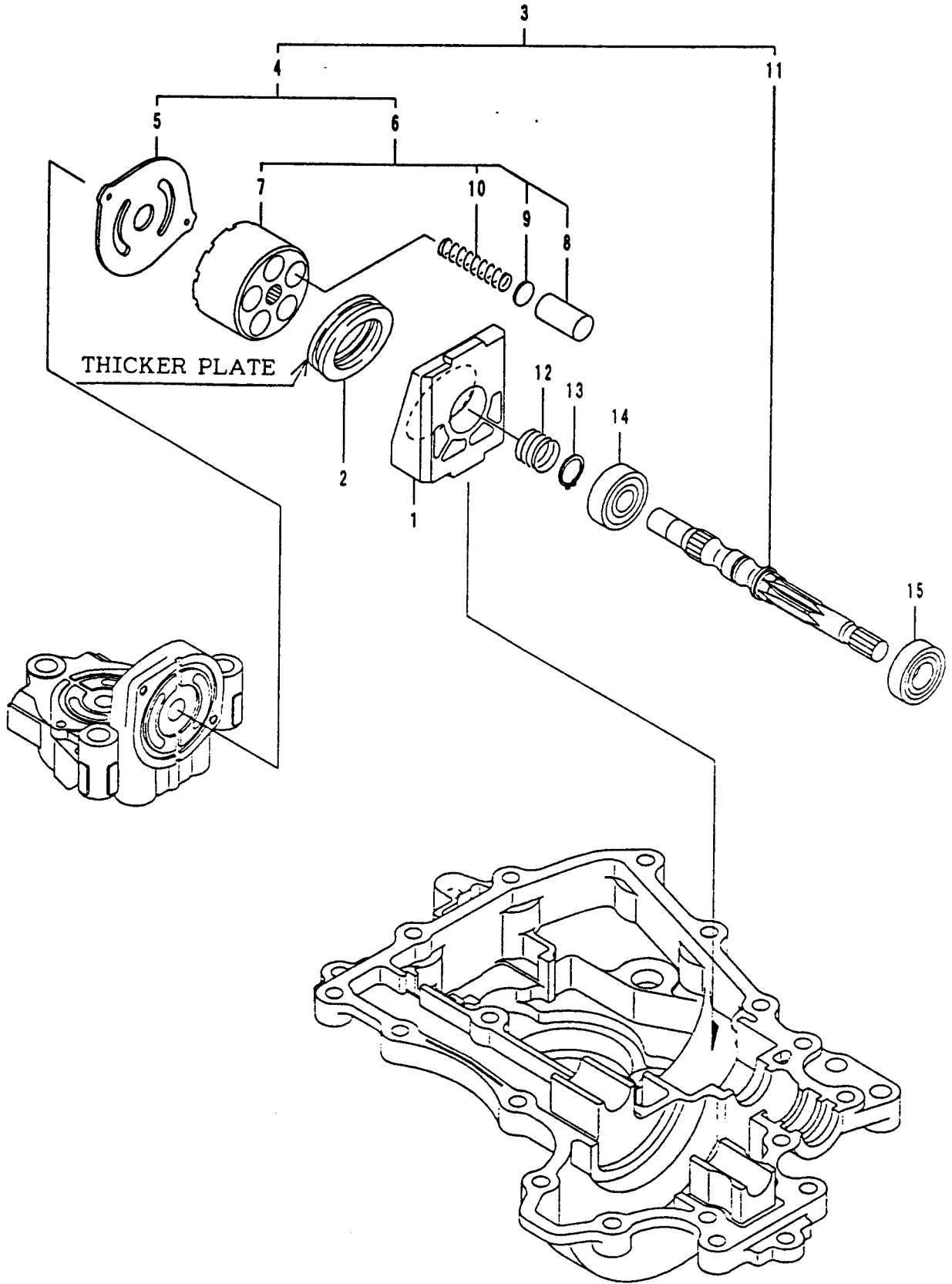


Fig.4 MOTOR SHAFT ASSY

(D92163-25210)

Ref. No.	Level	Description	Part No.	Q'ty/Unit		Service	Remarks
				K55J			
4 - 1	.	HOUSING	192163-24210	1			
4 - 2	.	BEARING 51106	192163-24240	1			
4 - 3	.	MOTOR SHAFT SET	192163-25050	1			
4 - 4	..	CYLINDER BLOCK M COMP.	192163-25211	1			
4 - 5	...	PLATE(MOTOR	192163-24411	1		NO	
4 - 6	...	CYLINDER BLOCK COMP.SET	192168-25210	1		NO	
4 - 7	CYLINDER BLOCK	192168-25120	1		NO	
4 - 8	PISTON	192154-25150	5		NO	
4 - 9	WASHER 11	192154-25170	5		NO	
4 - 10	SPRING(PISTON	192154-25190	5		NO	
4 - 11	..	MOTOR SHAFT	192163-25291	1			
4 - 12	.	SPRING	192154-25200	1			
4 - 13	.	RING 15	192154-25310	1			
4 - 14	.	BALL BEARING 6002	24101-060024	1			
4 - 15	.	BALL BEARING 6201	24101-062014	1			

Fig.5 RANGE SHIFT ASSY

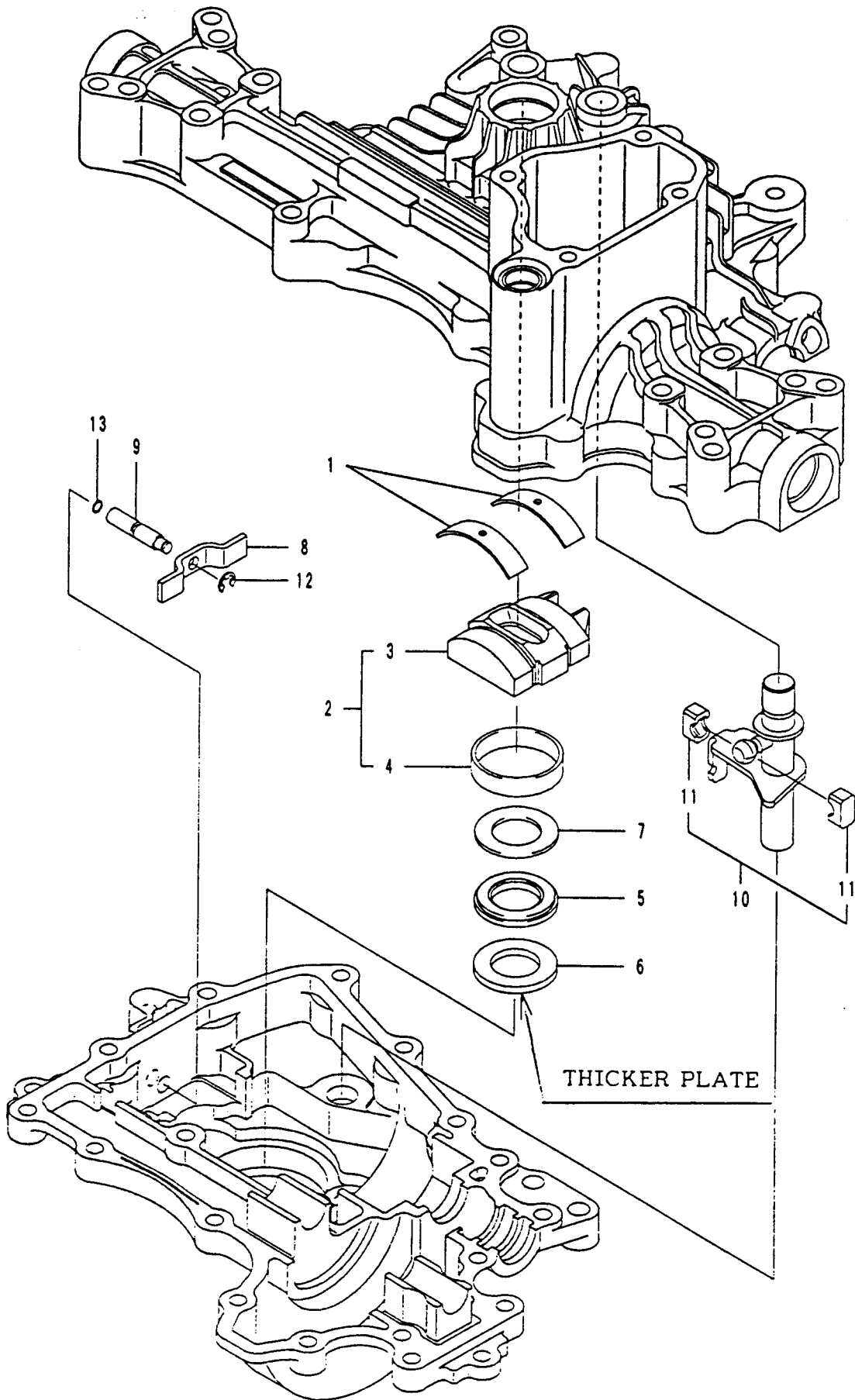


Fig.6 CONTROL SHAFT ASSY

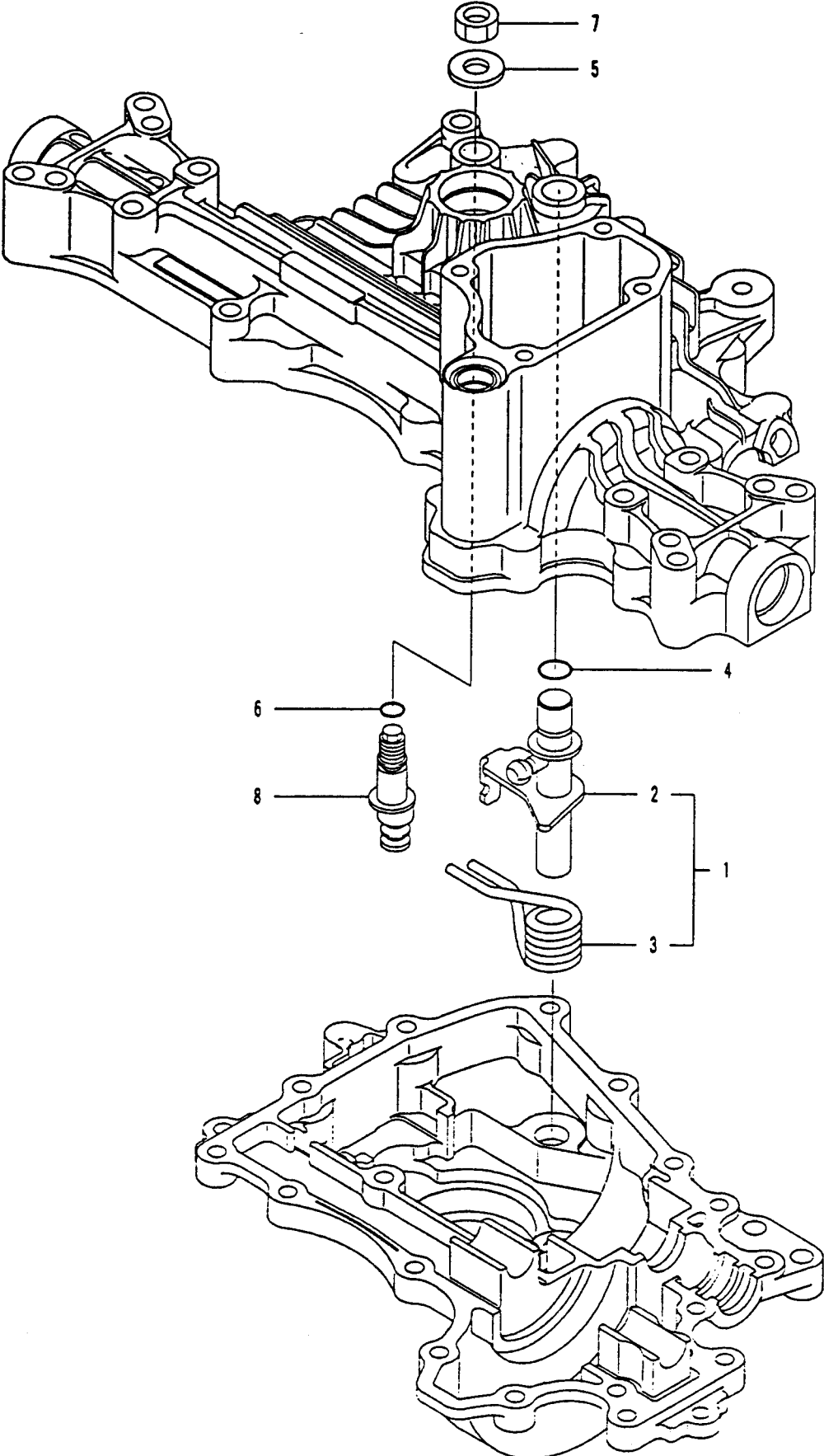


Fig.7 DIFF. GEAR ASSY

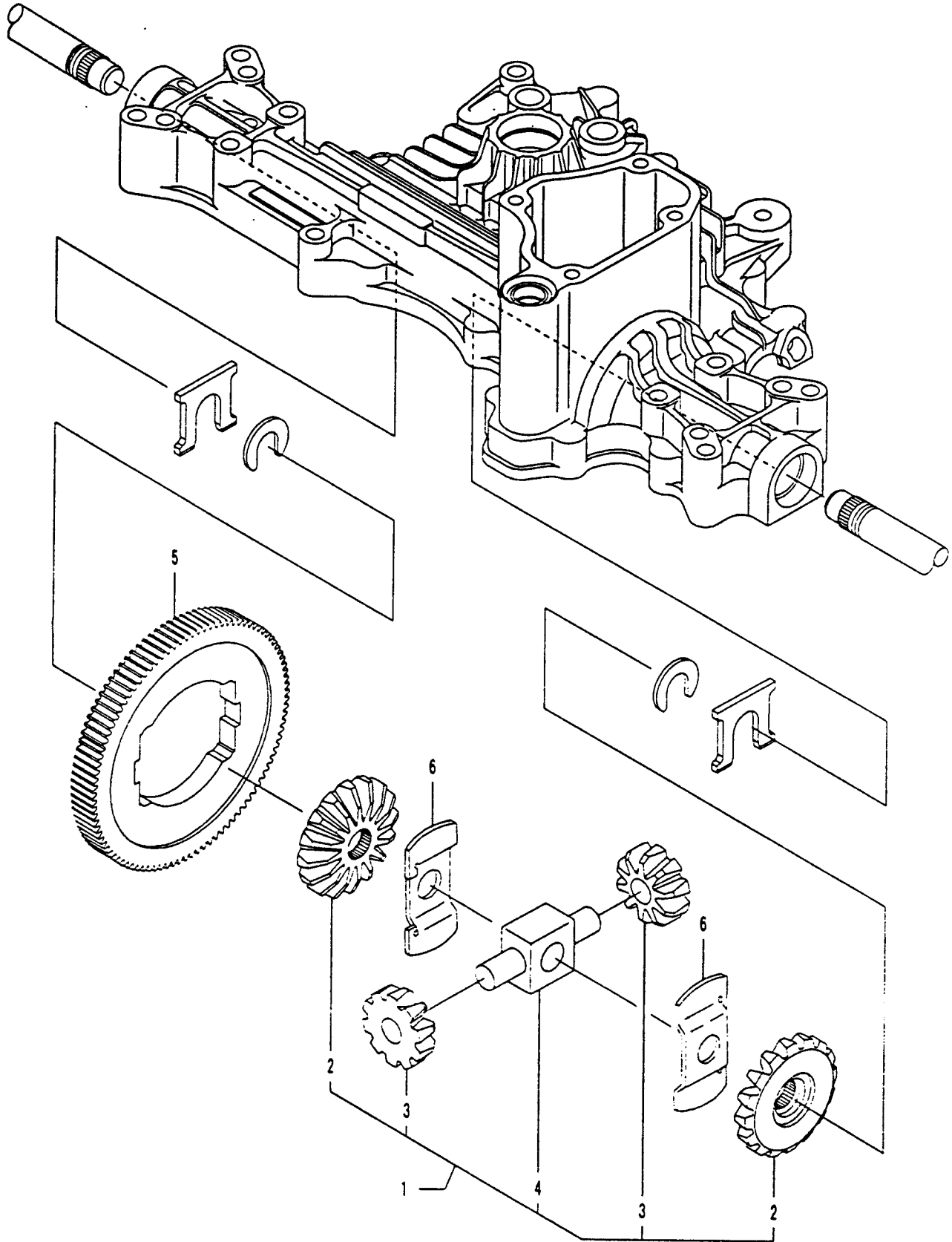


Fig.8 AXLE SHAFT ASSY

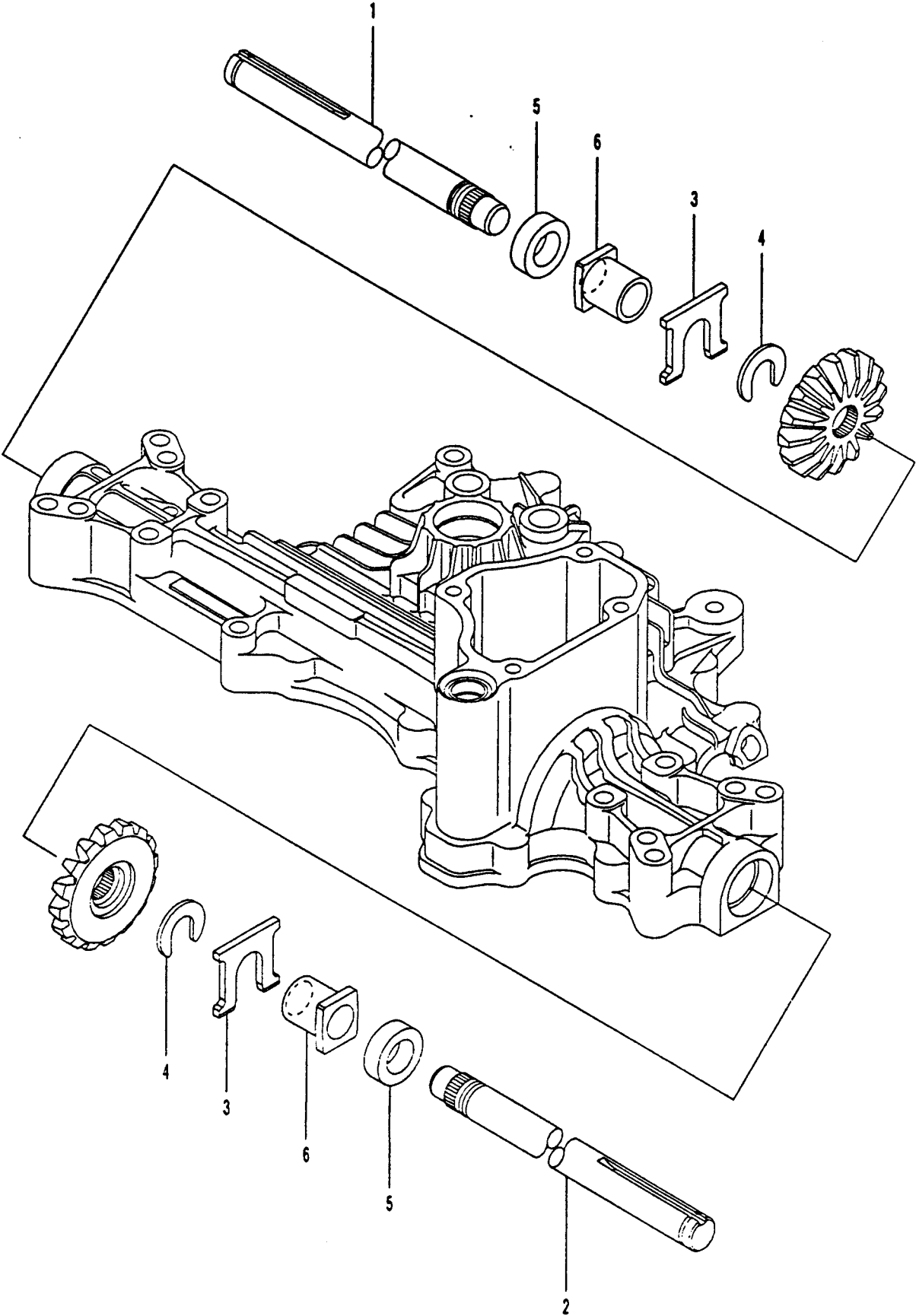


Fig.8 AXLE SHAFT ASSY

(D92163-34110)

Ref. No.	Level	Description	Part No.	Q'ty/Unit		Service	Remarks
				K55J			
8 - 1	.	AXLE SHAFT L	192163-34130	1			
8 - 2	.	AXLE SHAFT R	192163-34140	1			
8 - 3	.	THRUST WASHER	192163-34261	2			
8 - 4	.	RING 16	192163-34270	2			
8 - 5	.	SEAL(S 19X32X8	192163-34280	2			
8 - 6	.	BUSHING 19X25	192163-34350	2			

Fig.9 BRAKE ASSY

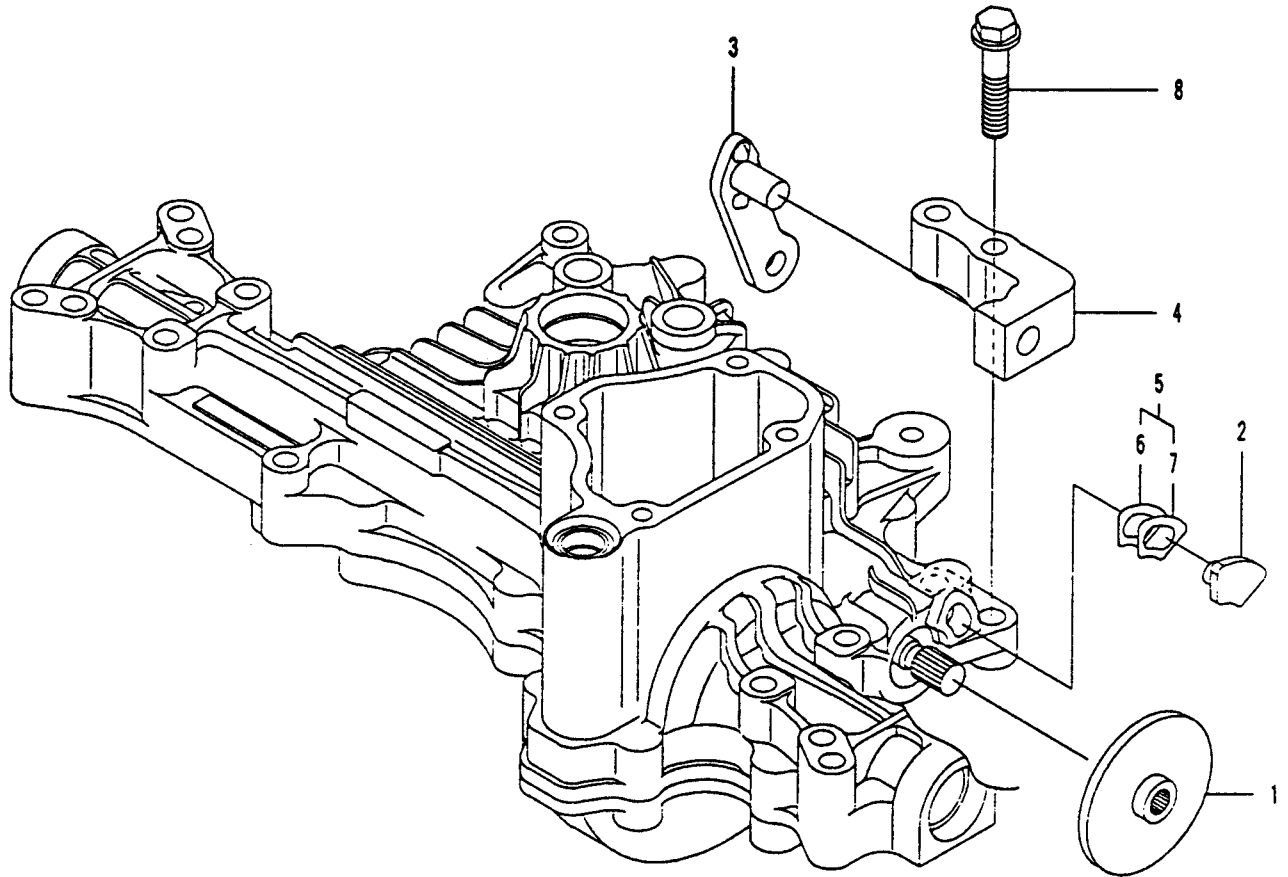


Fig.9 BRAKE ASSY

(D92163-80230)

Ref. No.	Level	Description	Part No.	Q'ty/Unit		Service	Remarks
				K55J			
9-1	.	DISK (BRAKE	192163-36110	1			
9-2	.	SHOE (BRAKE	192163-36120	1			
9-3	.	LEVER (BRAKE	192163-86140	1			
9-4	.	STAY (BRK. LEVER	192163-36160	1			
9-5	.	SHIM SET	192163-36170	1			
9-6	..	SHIM 0.3 (BRAKE	192163-36130	1		NO	
9-7	..	SHIM 0.5 (BRAKE	192163-36150	1		NO	
9-8	.	BOLT 10×45	192163-36180	2			

1

MANUFACTURED UNDER US PAT.

#5473964

Fig.10 LABEL ASSY

(D92163-65300)

Ref. No.	Level	Description	Part No.	Q'ty/Unit		Service	Remarks
				K55J			
10 - 1	.	LABEL 964	192163-65311	1			